



Coconut Industry Investment Fund – San Pablo Manufacturing Corporation

REQUEST FOR QUOTATION

Date: March 09, 2023

RFQ No.: SPMC-HO-SHOP23-0013B

Company/Business Name : _____

Address : _____

Business/Mayor’s Permit No. : _____

TIN : _____

PhilGEPS Registration Number (required): _____

The Coconut Industry Investment Fund – San Pablo Manufacturing Corporation (SPMC), through its Bids and Awards Committee (BAC), intends to procure the **BIGBAG FLEXIBLE INTERMEDIATE BULK CONTAINER** through **Section 52.1 (SHOPPING)** of the 2016 Revised Implementing Rules and Regulations of Republic Act No. 9184.

Please quote your **best offer** for the item/s described herein, subject to the Terms and Conditions provided on this Request for Quotation (RFQ). Submit your quotation duly signed by you or your duly authorized representative not later than the deadline on **March 27 at 12:00nn**.

The following documents are also required to be submitted along with your quotation on the specified deadline above:

Document	Remarks
Copy of 2023 Mayor’s or Business Permit	In case not yet available, you may submit your expired 2022 Mayor’s or Business Permit with the Official Receipt of renewal application. However, a copy of your 2023 Mayor’s or Business Permit shall be required to be submitted after award of contract but before payment.
BIR Registration Certificate (BIR Form 2303)	

For any clarification, you may contact us at telephone no. (02) 8892-7961 to 65 loc. 1168 or email address at rjandi@ciif.ph

ANGELITA G. RAPADA
Head, BAC Secretariat

INSTRUCTIONS:

Note: Failure to follow these instructions will disqualify your entire quotation.

- (1) Do not alter the contents of this form in any way.

- (2) The use of this RFQ is highly encouraged to minimize errors or omissions of the required mandatory provisions. In case of any changes, bidders must use or refer to the latest version of the RFQ, except when the latest version of the RFQ only pertains to deadline extension.

If another form is used other than the latest RFQ, the quotation shall contain all the mandatory requirements/provisions including manifestation on the agreement with the Terms and Conditions below.

In case a prospective supplier/service provider submits a filled-out RFQ with a supporting document (i.e., a price quotation in a different format), both documents shall be considered unless there will be discrepancies. In this case, provisions in the RFQ shall prevail.

- (3) All mandatory technical specifications (with asterisk) must be complied with. Failure to comply with the mandatory requirements shall render the quotation ineligible/disqualified.
- (4) Quotations may be submitted through electronic mail at rjandi@ciif.ph address of buyer create email through BACSEC).
- (5) Quotations, including documentary requirements, received after the deadline shall not be accepted. For quotations submitted via electronic mail, the date and time of receipt indicated in the email shall be considered.

TERMS AND CONDITIONS:

1. Bidders shall provide correct and accurate information required in this form.
2. Any interlineations, erasures, or overwriting shall be valid only if they are signed or initialed by you or any of your duly authorized representative/s.
3. Price quotation/s must be valid for a period of forty-five (45) calendar days from the deadline of submission.
4. Price quotation/s, to be denominated in Philippine peso, shall include all taxes, duties, and/or levies payable.
5. Quotations exceeding the Approved Budget for the Contract shall be rejected.
6. In case of two or more bidders are determined to have submitted the Lowest Calculated Quotation/Lowest Calculated and Responsive Quotation, the SPMC shall adopt and employ "draw lots" as the tie-breaking method to finally determine the single winning provider in accordance with GPPB Circular 06-2005.
7. Award of contract shall be made to the lowest quotation which complies with the technical specifications, requirements and other terms and conditions stated herein.
8. The item/s shall be delivered according to the accepted offer of the bidder.

9. Item/s delivered shall be inspected on the scheduled date and time of the SPMC. The delivery of the item/s shall be acknowledged upon the delivery to confirm the compliance with the technical specifications.

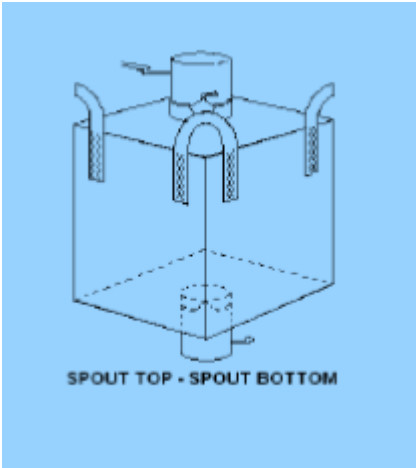
10. Payment shall be made after delivery and upon the submission of the required supporting documents, i.e., Order Slip and/or Billing statement, by the supplier, contractor, or consultant. Our Government Servicing Bank, i.e., the Land Bank of the Philippines, shall credit the amount due to the identified bank account of the supplier, contractor, or consultant not earlier than twenty-four (24) hours, but not later than forty-eight (48) hours, upon receipt of our advice. Please note that the corresponding bank transfer fee, if any, shall be chargeable to the account of the supplier, contractor, or consultant.

11. Liquidated damages equivalent to one-tenth of one percent (0.1%) of the value of the goods not delivered within the prescribed delivery period shall be imposed per day of delay. The SPMC may terminate the contract once the cumulative amount of liquidated damages reaches ten percent (10%) of the amount of the contract, without prejudice to other courses of action and remedies open to it

After having carefully read and accepted the Instructions and Terms and Conditions, I/we submit our quotation/s for the item/s as follows:

BIGBAG FLEXIBLE INTERMEDIATE BULK CONTAINER			
TECHNICALSPECIFCATIONS/SCOPE OF WORKS	YES	NO	REMARKS
Quantity :			
120 PC BIGBAG FLEXIBLE INTERMEDIATE BULK CONTAINER MATERIAL: UV STABILIZED WOVEN POLYPROPYLENE FABRIC SIZE: 90CM X 90 CM X 125CM TYPE: SEAMLESS BODY, SPOUT TOP, SPOUT BOTTOM LIFTING: 4 CORNER STRAP			

SAMPLE



FINANCIAL OFFER

Terms of Payment: Payment shall be made through Land Bank's within thirty (30) days after Submission of Billing and User Acceptance of the product. Bank Transfer fee shall be charged against the creditor's account.

Payment Details:
 Banking Institution: _____
 Account Number: _____
 Account Name: _____
 Branch: _____

Please quote your best offer for the item/s below. Please do not leave any blank items. Indicate "0" if item being offered is for free.

BIGBAG FLEXIBLE INTERMEDIATE BULK CONTAINER		
Approved Budget for the Contract: Php 497.28/PC (TOTAL 59,673.60)		
Quantity (A)	Offered Price per UOM (B)	TOTAL OFFERED QUOTATION (A x B)
120 PC		In Words: _____ _____ _____ _____ In Figure: _____ _____

Signature over Printed Name

Position/Designation

Office Telephone/Fax/Mobile Nos.

Email address/es